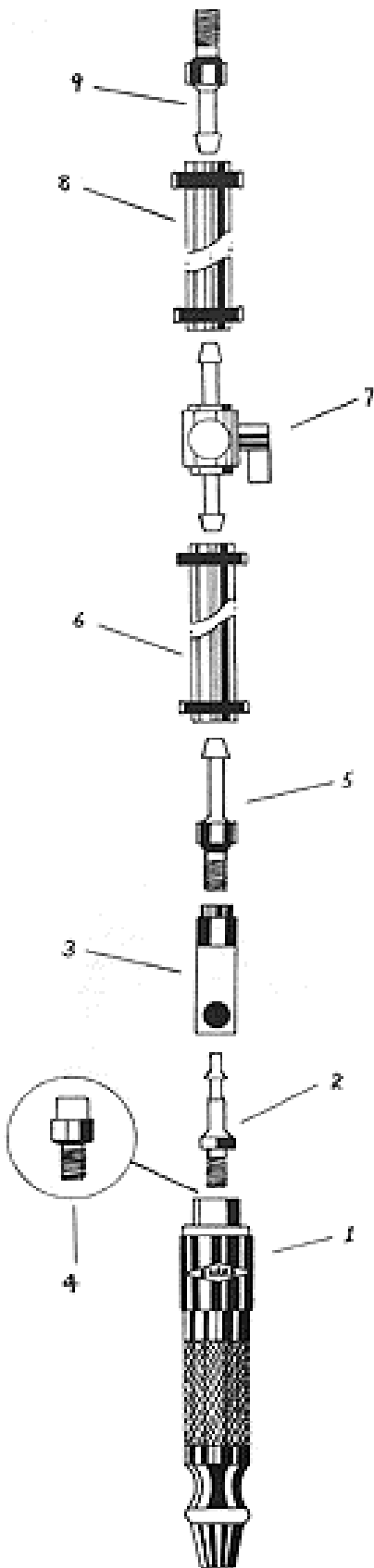


PNEUMATIC TOOL ASSEMBLY INSTRUCTIONS



Insert the male end of the "Quick Connect" (#2) into the pneumatic handpiece (#1) as shown (the Staubli Quick Connect is used to turn tools off without turning off the compressor or to change air tools quickly when using more than one size. This is an optional accessory. If you do not wish to use one, you can substitute an inlet bushing.) Connect the female end (#3) to the 3/8" hose nipple (#5) to which you have attached air hose (#6) approximately 18" in length. All airhoses must be held securely in place with clamps (shown).

Insert a 3/8" air stopcock (#7) into the other end of the air hose. This will allow you to control the airflow from your compressor. Attach another length of hose (#8) to the stopcock which is followed by another 3/8" steel hose nipple (#9). This is the part that connects to your air compressor.

Now you are ready to begin work. Don't forget to oil your handpiece before you start!

PNEUMATIC TOOL ACCESSORIES (for 1/2", 3/4" and 1" sizetools)

* 3/8" Brass Air Stopcock (10 oz.)	28.00
* 3/8" ABS Air Stopcock (1 oz.)	12.00
* 3/8" Rubber Air Hose (per foot)	1.50
* 3/8" Synflex Air Hose (per foot)	... 1.10
* 3/8" Hose Nipple	6.00
* Inlet Bushing	6.00
OR	
Staubli "Quick Connect"	
**male end	7.00
female end	18.00
* Hose Clamps	NOCHARGE
Pneumatic Tool Oil (per pint)	3.00
Safety Glasses ...(Spoggles)	10.00
Anti-Vibration Gloves:	
VISCO Fabric (per pair)	20.00
PROFLEX Leather (per glove)	35.00

* Necessary for air tool operation
 ** Purchase a male end for each pneumatic tool. Only 1 female end is needed per set-up.